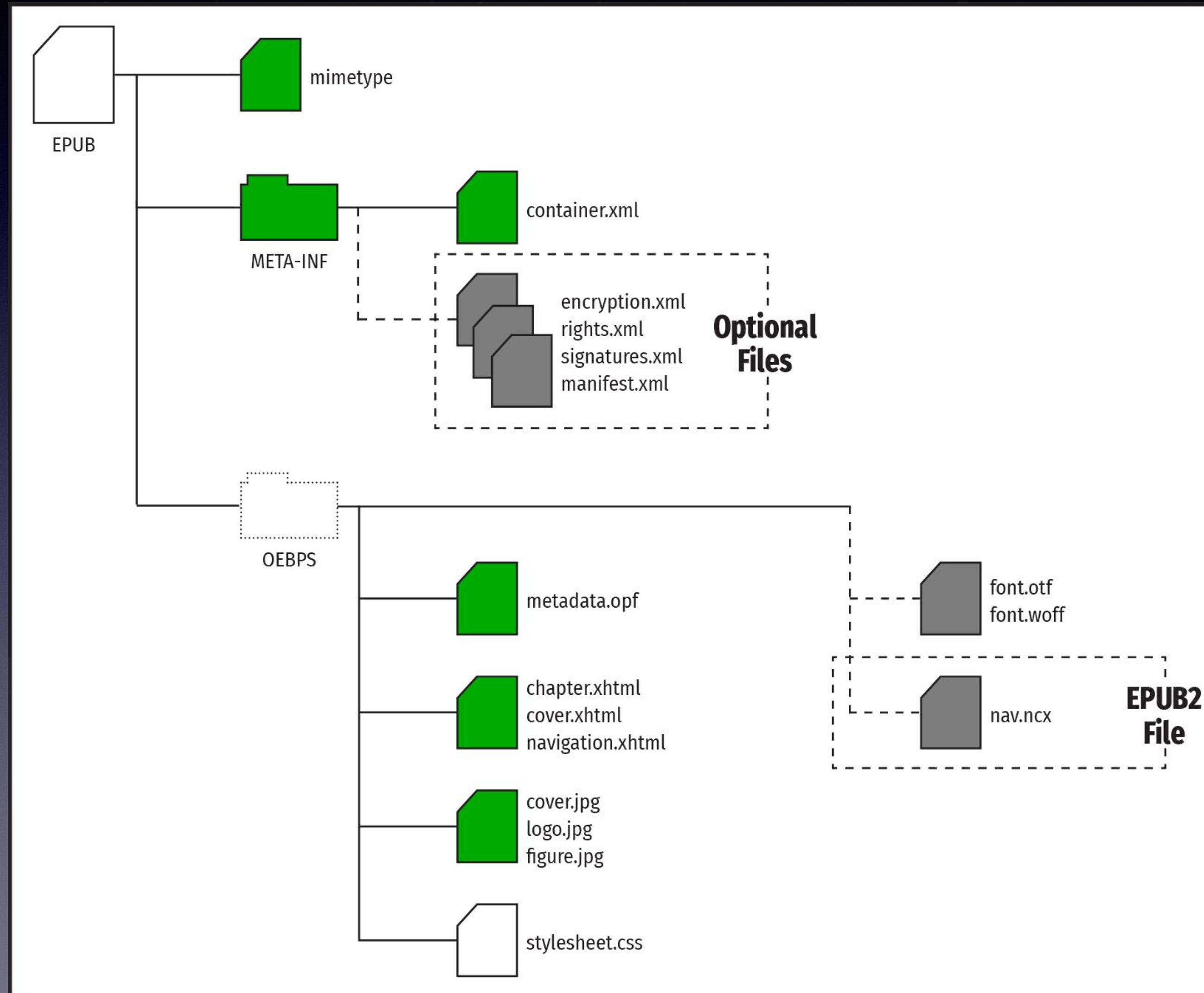


EPUB Overview

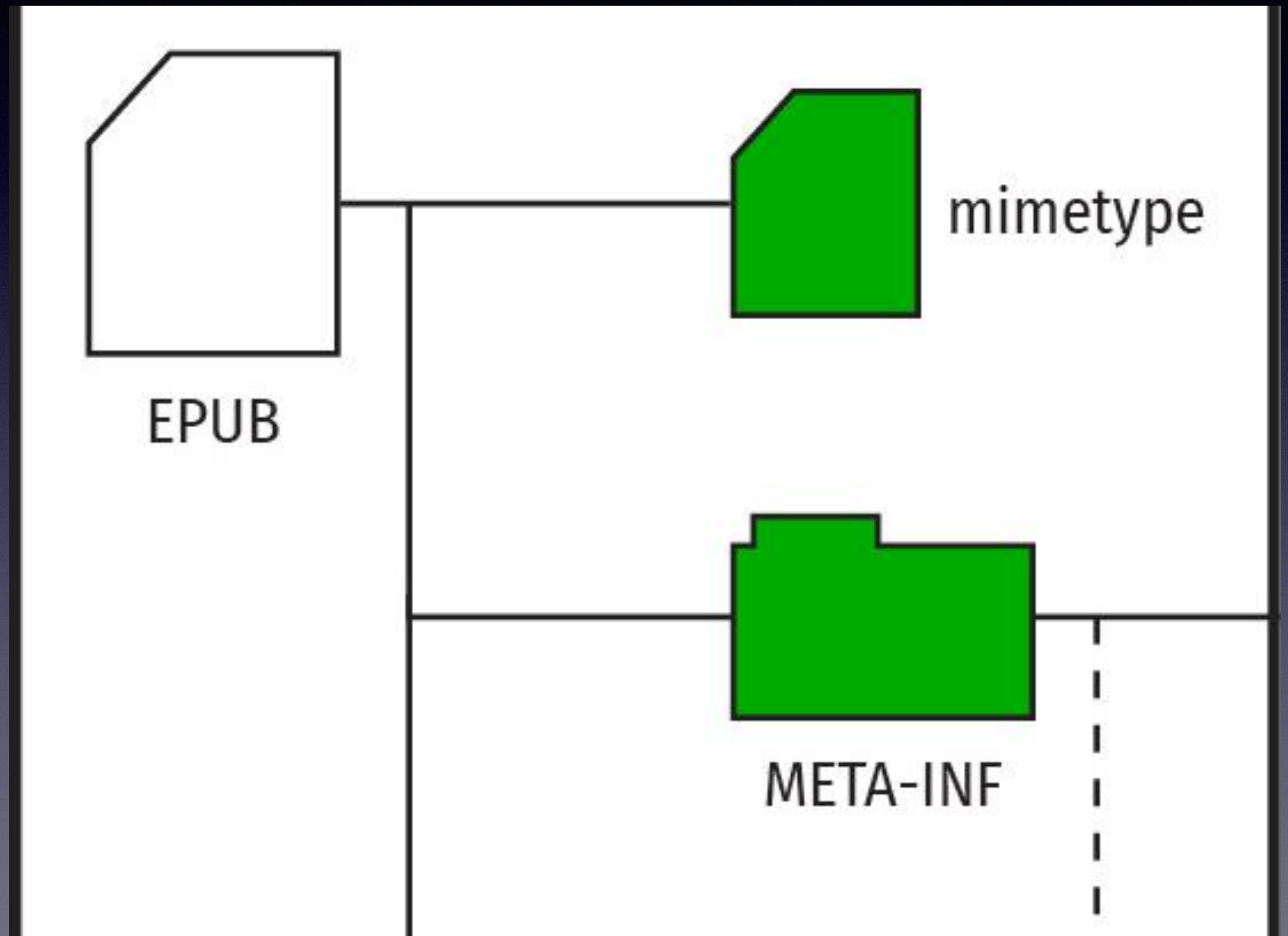


EPUB File

An EPUB is just a zip file. It must have the indicated files located exactly where they are indicated on the diagram.

The top level contains:

- mimetype
- META-INF (folder)



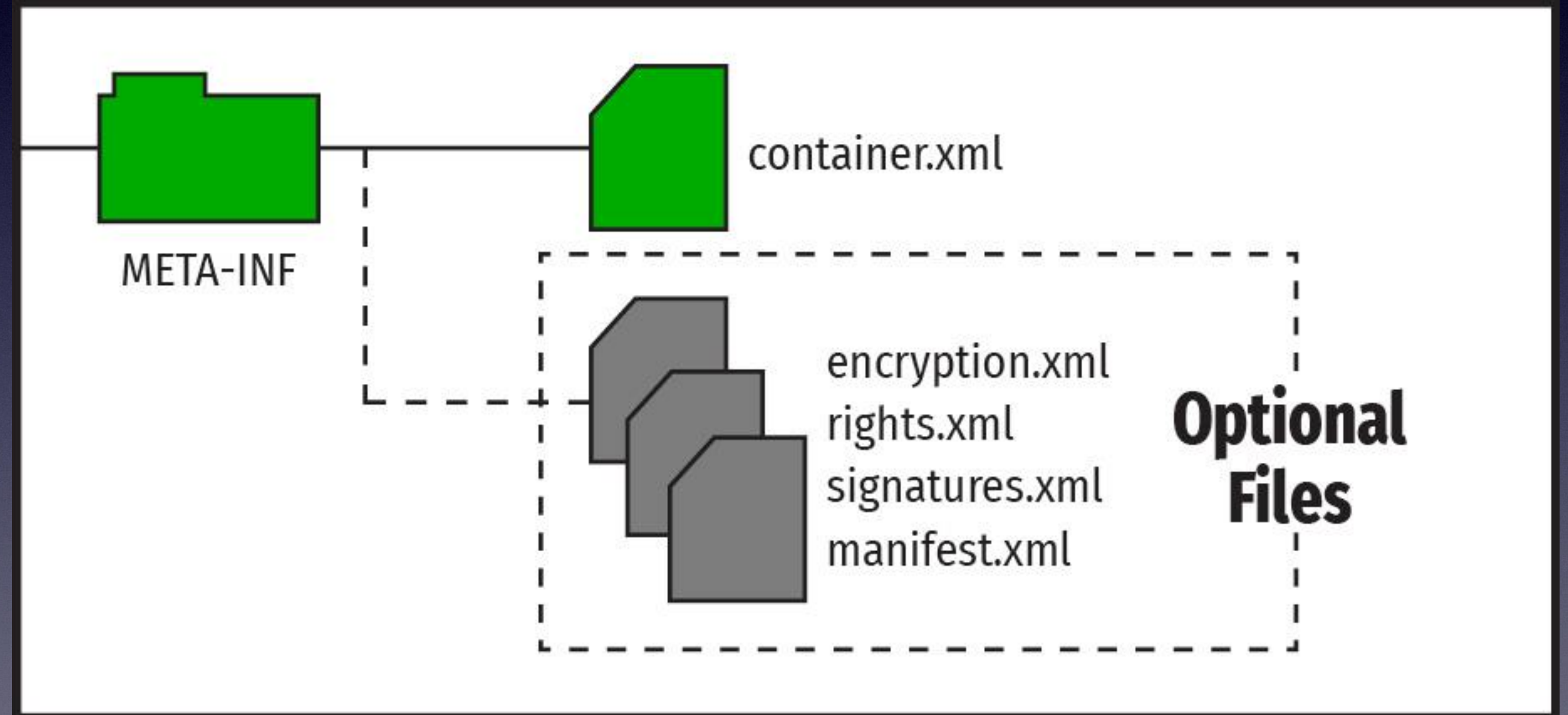
META-INF Contents

The META-INF folder must contain:

- container.xml

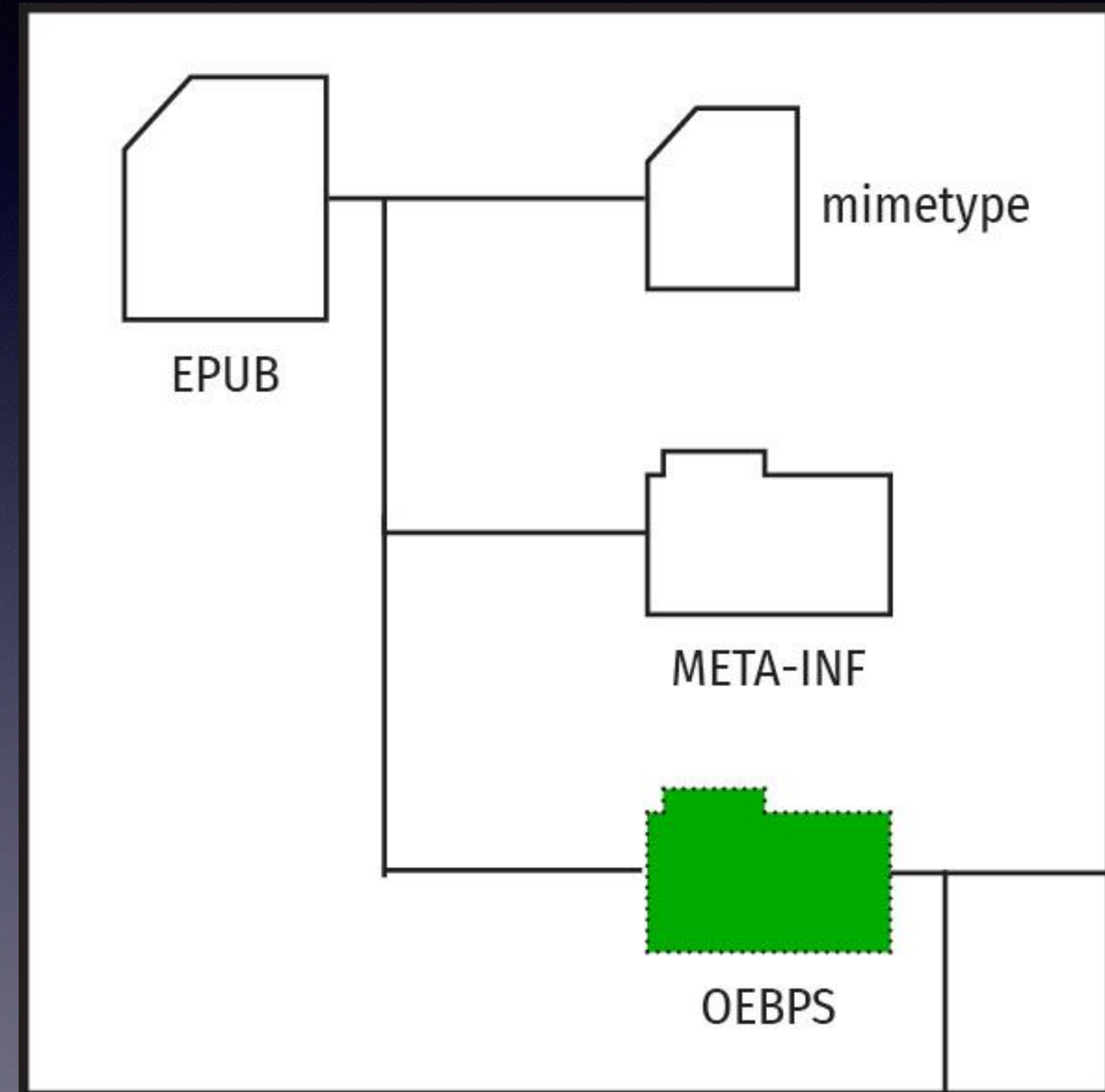
It can contain (though usually does not) the optional files:

- encryption.xml
- rights.xml
- signatures.xml
- manifest.xml



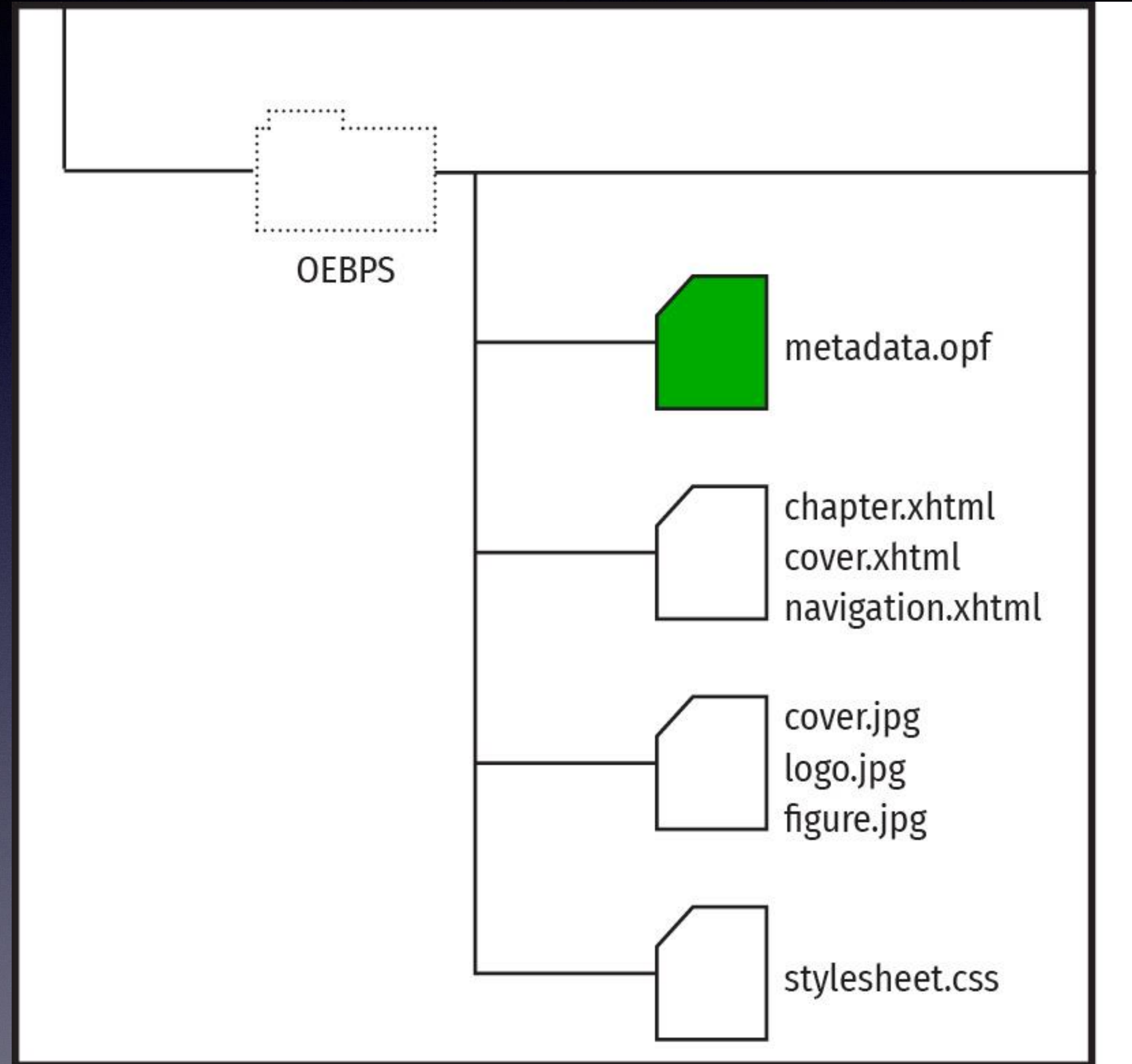
EPUB OEBPS Folder

Most EPUBs have an OEBPS folder holding all the content. This folder is optional. Content can be anywhere but the META-INF folder. Using a folder is fine and it can be named anything. Subordinate folders are allowed.



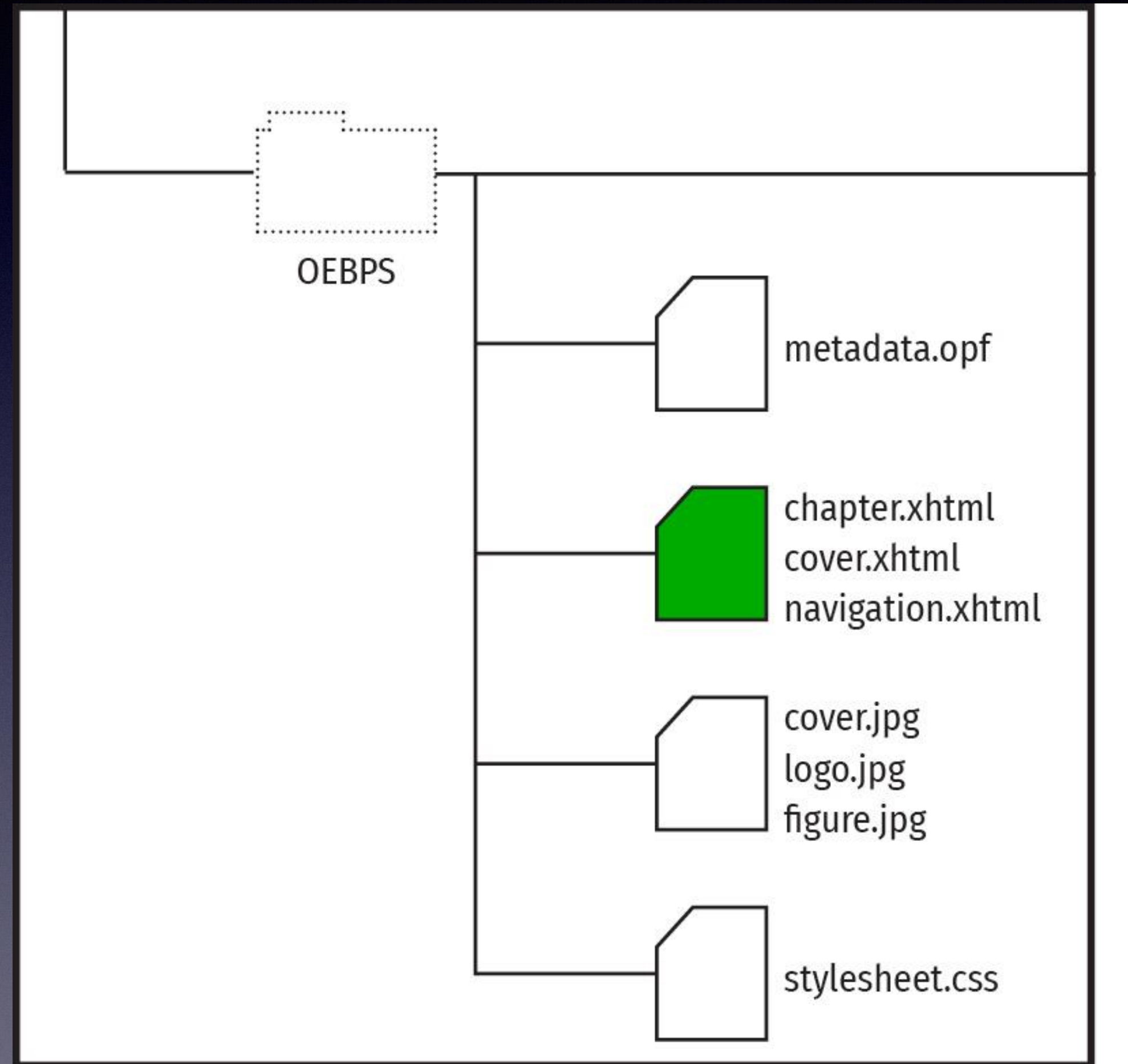
EPUB OPF

The OPF file is the heart of the EPUB. It lists all the files in the book, gives a reading order, and provides all the metadata for the book. It can be named anything, but the container.xml must point to it.



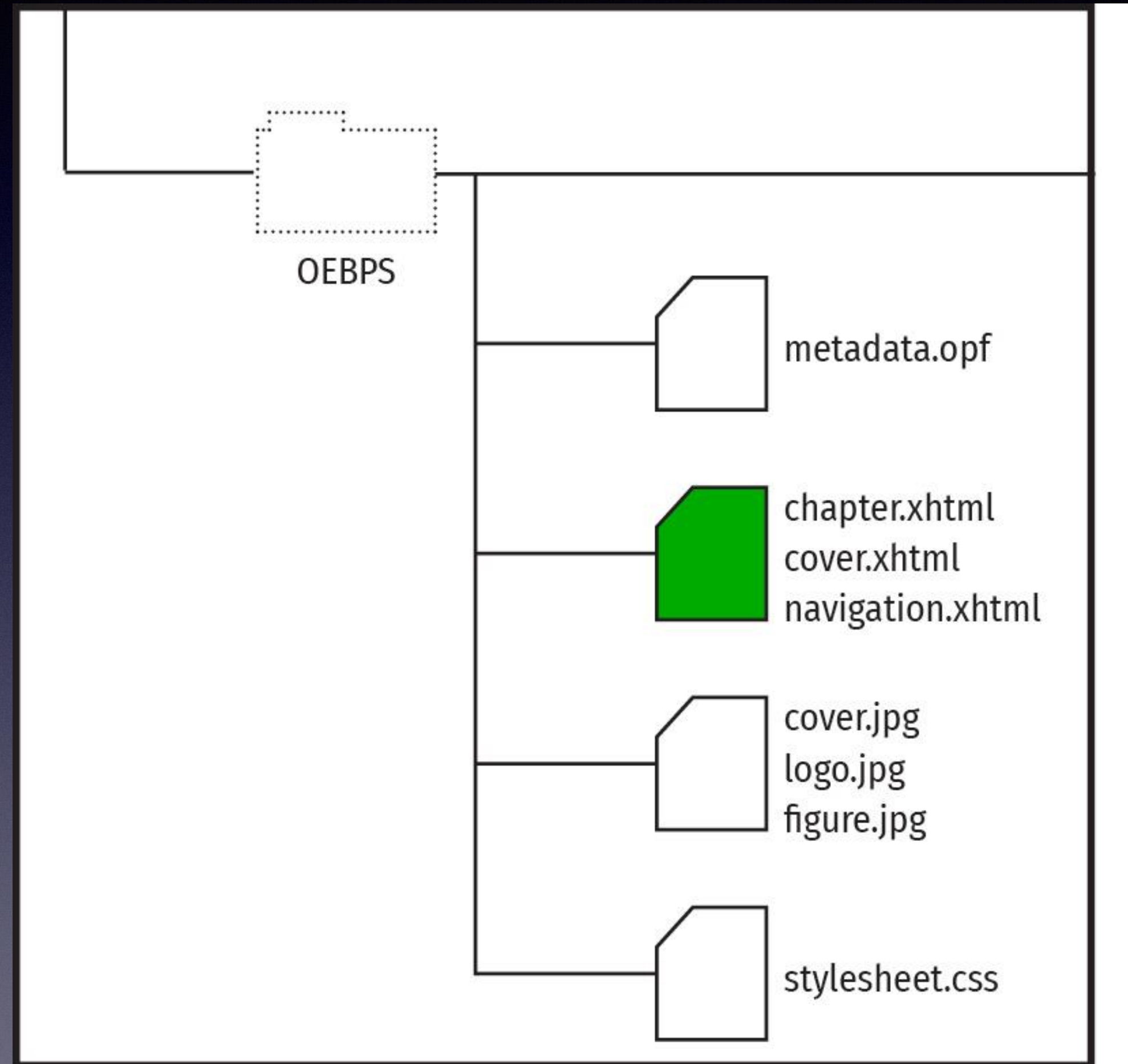
EPUB XHTML

The XHTML files hold the content for the EPUB. It is best to have a file per chapter to keep things organized. These can be named anything and located anywhere, but most are near the OPF or in their own folder.



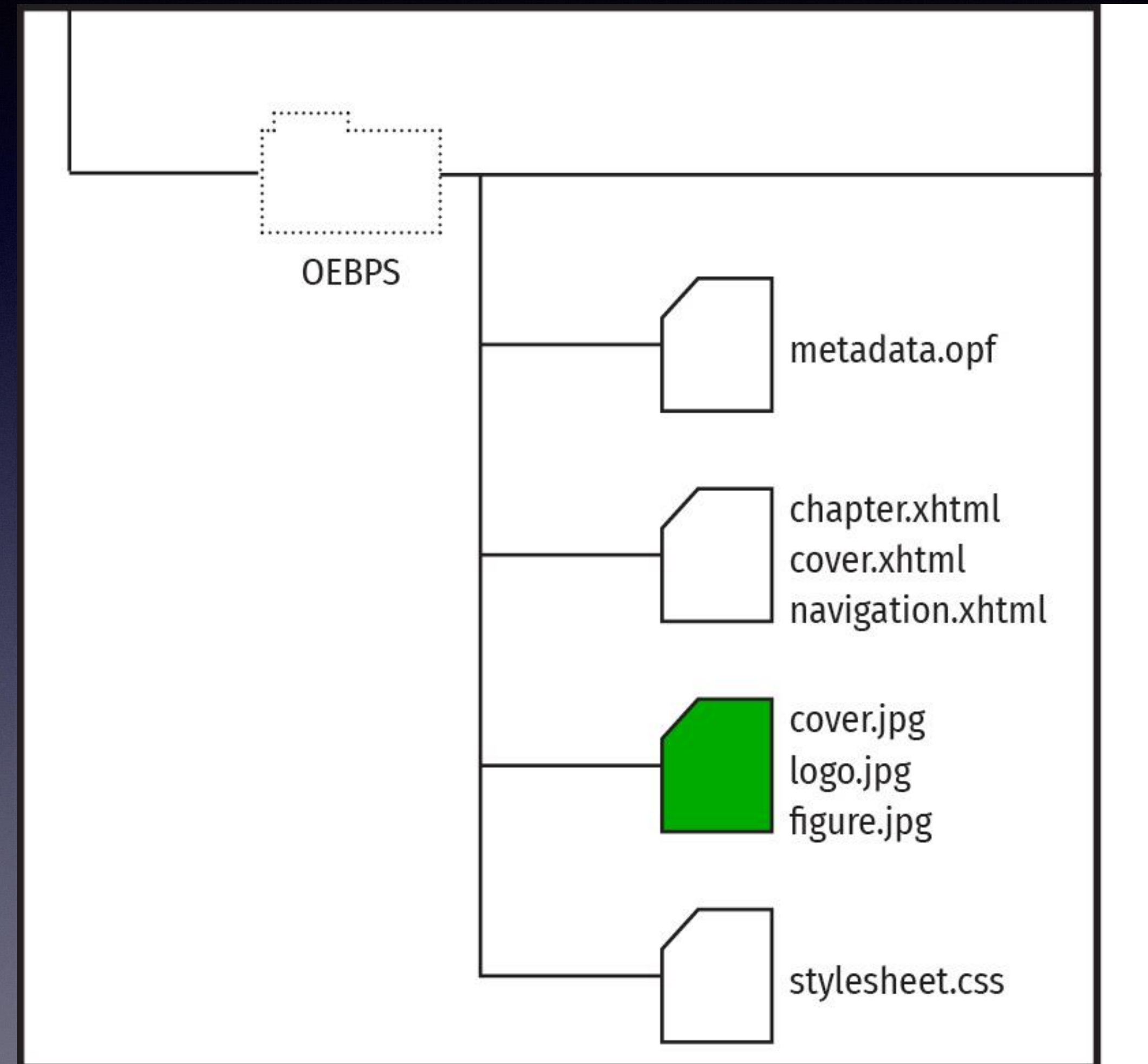
EPUB Other XHTML

Remember to include your XHTML file for the cover. A navigation XHTML file is used to feed heading details and page number order to reading systems.



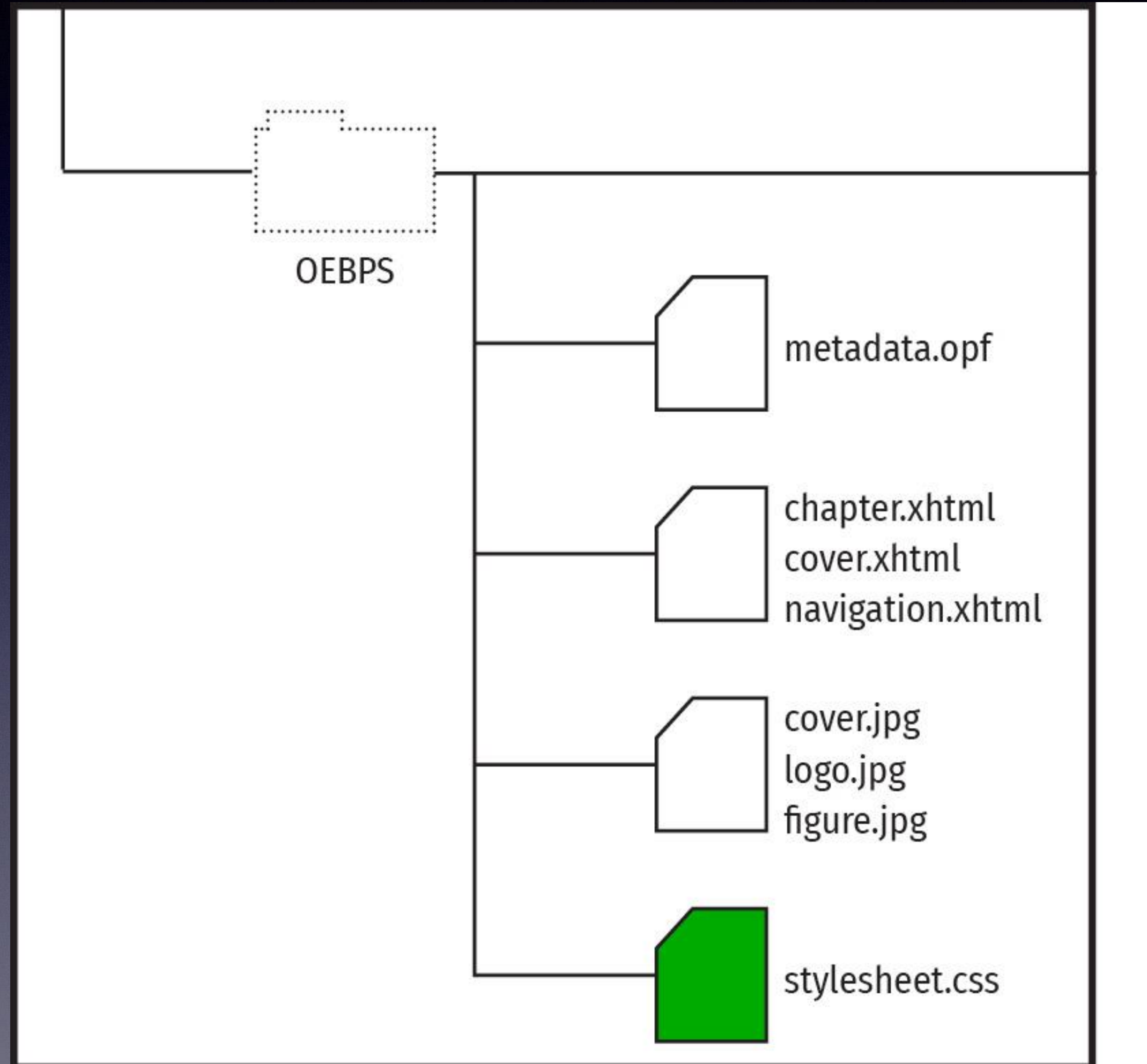
EPUB Images

Image files are jpeg, gif, svg, png, or WebP and used for the cover, logos, and images in chapters. They can be named anything and located anywhere, though most put them in a subordinate folder to the XHTML files.



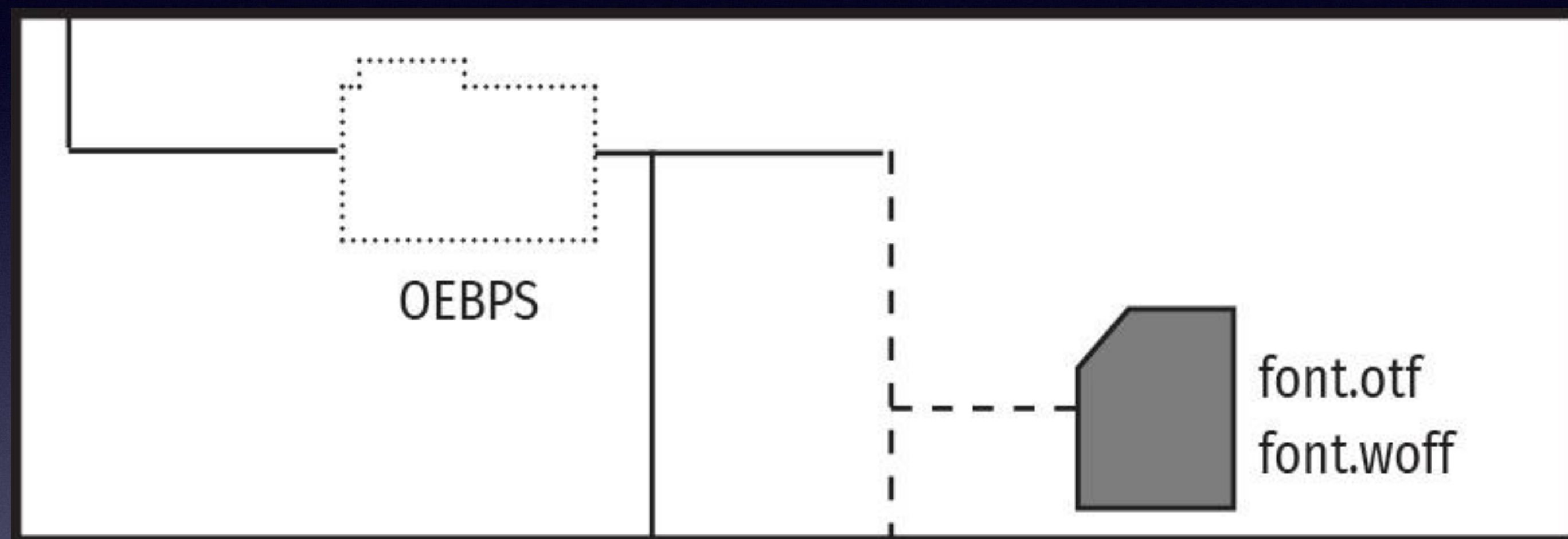
EPUB Stylesheets

The stylesheet controls the appearance of the XHTML content. They may be named anything and located anywhere. You can use multiple ones, but most publishers use just one.



EPUB Font Files

Normally not present since EPUBs use the local fonts, but some publishers include fonts to drive design choices in the CSS. If you include fonts, ensure you have the proper licensing to cover this distribution.



EPUB NCX

This is the EPUB2 navigation document and is optional. It is included to support backwards compatibility on older reading systems. It is not necessary or supported in modern readers.

